

Food slicers 370 mm Vertical Slicer, belt transmission

ITEM # _____

MODEL # _____

NAME # _____

SIS # _____

AIA # _____


601141 (MSV37B)

 Vertical Slicer 370mm, belt
 transmission (400V; 3; 50)

Short Form Specification

Item No. _____

Heavy duty slicer for supermarkets and delis
 Ideal for slicing raw meat, salami and pressed meat.
 Base and main components in high polished satin finished
 anodized aluminium for long lasting, hygiene and ease of
 cleaning. The blade is in hollow ground hard chrome with blade
 guard ring for added protection. Model equipped with cut
 thickness adjusting knob, top mounted sharpener, cover blade
 and product deflector - easily removable for cleaning. Ventilated
 blade drive motor. Poly V-belt drive system for quiet operation
 and economical service. Removable carriage system
 permanently lubricated with automatic clutch. IP42 water
 protection.
 Supplied with blade removal tool.

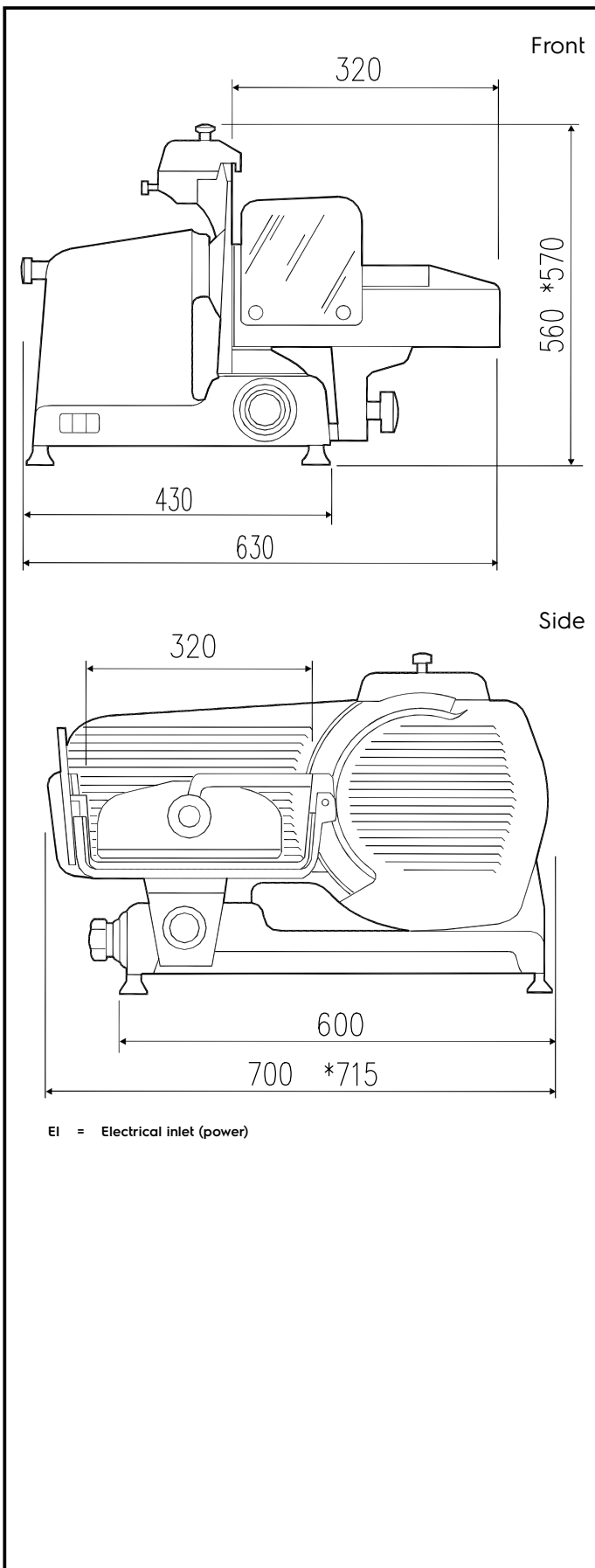
Main Features

- Vertical slicer.
- Slice thickness from 0 to 24 mm.
- Cut thickness-adjusting knob (millimeter adjustment).
- Belt driven transmission.
- Ventilated blade drive motor designed for continuous use, with Poly V-belt drive system for quiet operation and economical service.
- Removable carriage system permanently lubricated with automatic clutch.
- Top-mounted stone blade sharpener and cover blade easy to remove.
- Supplied with blade removal tool.
- Highest degree of safety in functioning, cleaning and maintenance.
- Cutting capacity for 370 mm model:
 - square: 270x270
 - rectangular: 340x270
 - square: 270

Construction

- Compact design.
- Made in high polished satin finished anodized aluminium. This procedure guarantees high hygienic standards of the parts interested by the cut and resistance to acids, salts and oxidation processes.
- The blade is made of hollow ground hard chrome with blade guard ring for added protection.
- Plexiglass safety hand guard as standard.
- IP42 water protection.

APPROVAL: _____



Electric

Supply voltage:

601141 (MSV37B)

400 V/3N ph/50 Hz

Total Watts:

0.38 kW

Key Information:

External dimensions, Width: 715 mm

External dimensions, Depth: 630 mm

External dimensions, Height: 570 mm

Net weight (kg): 53